

ENSERV Zündkerzen M18 x 1,5 mm
ENSERV Spark plugs M18 x 1,5 mm



Stand: 09/20

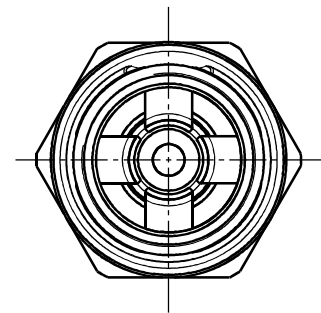
Federal-Mogul Spark plug **FBM80WPNS** (formerly 18 GZ 47)



*Your alternative
to Jenbacher's P3!*

Technical Data

4 long side electrodes	Iridium version
Electrode gap:	0,35 mm
Thread:	M18 × 1,5 mm
Wrench size (hex):	22,2 mm (7/8")
Tightening torque:	50 – 60 Nm



Alternative to JENBACHER P3 (P/N 462203, 639754)

ENSERV

ENSERV GmbH

Wernerstraße 33 • 29227 Celle • Germany
• Tel. +49 5141 7548-0 • www.enserv.de •