

## General Information

- Engine (manufacturer, model): \_\_\_\_\_
- Used spark plug type: \_\_\_\_\_
- Used ignition coil type: \_\_\_\_\_
- Spark plug well diameter: \_\_\_\_\_ mm
- Depth of the spark plug well: \_\_\_\_\_ mm  
(from spark plug seat to valve cover top edge)

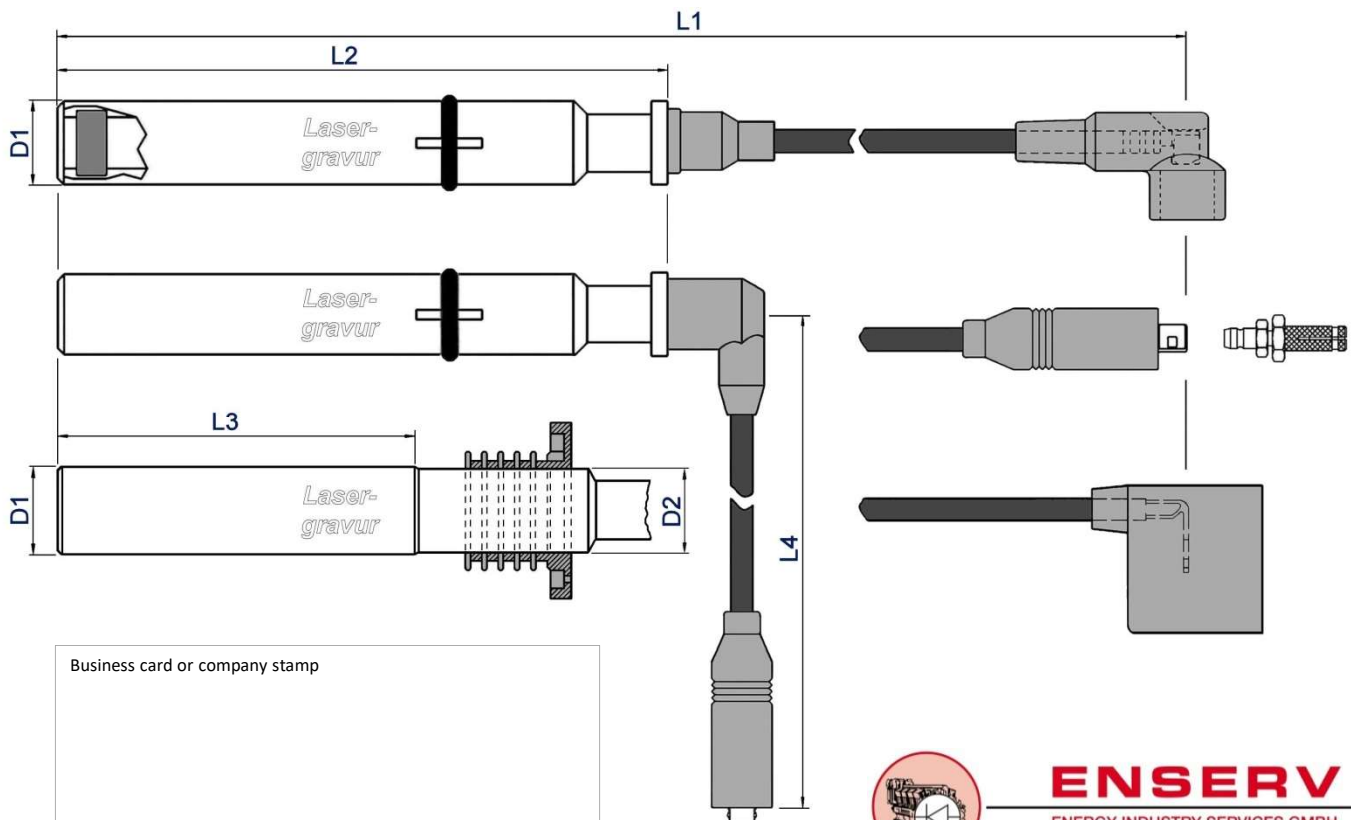
## PTFE Spark plug extension

- Total length (L1): \_\_\_\_\_ mm
- Length of the PTFE body (L2): \_\_\_\_\_ mm
- Diameter of the PTFE body (D1): \_\_\_\_\_ mm
- Section w/ narrowing of the diameter: Diameter (D2): \_\_\_\_\_ mm  
Length (L3): \_\_\_\_\_ mm
- Type of ignition coil connector:
 

<input type="checkbox"/> 1 kΩ plug, 90°	<input type="checkbox"/> 1 kΩ plug, 180°
<input type="checkbox"/> screwed, 90°	<input type="checkbox"/> screwed, 180°
<input type="checkbox"/> SAE terminal	<input type="checkbox"/> AMP plug
<input type="checkbox"/> Adapter solution _____	
- Cable length to ignition coil (L4): \_\_\_\_\_ mm
- Cable outlet from PTFE body:
 

<input type="checkbox"/> 90° outlet	<input type="checkbox"/> 180° outlet
-------------------------------------	--------------------------------------
- Protective cap:
 

<input type="checkbox"/> yes	<input type="checkbox"/> no
------------------------------	-----------------------------



Business card or company stamp

