

# Throttle Valves

## DATA SHEET

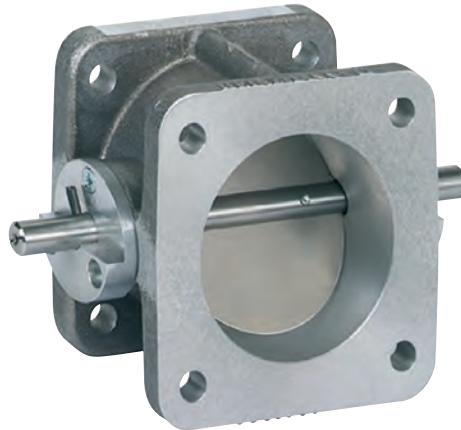
### Description

As a component of the HEINZMANN KRONOS 10 system the butterfly throttle valves controls the quantity of the gas and air mixture. Furthermore in special applications the throttle valve can be used as a gas valve to control the mixture quality.

The size range from 50 to 400 and the sealed design covers a wide output power and operation pressure range.

Precise manufactured the valve allows an optimal engine control and a exceptional lifetime.

Rotation angle of the throttle valve is 75 °. Sense of rotation is optional CW or CCW.



### Application range

Throttle	Gas Engine Output Range in kW *			
	Stoichiometric		Lean burn **	
	min.	max.	min.	max.
Size 50	35	125	25	85
Size 100	70	250	50	170
Size 140	140	500	100	340
Size 200	330	1200	230	840
Size 300	750	2250	500	1500
Size 400	2250	3400	1500	2200

\* Power for natural aspirated applications. With turbo charger the output will be 50 % to 150 % higher, dependent on the boost pressure.

\*\* Power at an Air to Fuel Ratio of about 1.6

### Technical data

- ➔ Operating temperature: -20 to +150 °C
- ➔ Max. boost pressure: 4 bar abs.

### Features

The throttle valves are suitable for naturally aspirated and turbo charged engines

Low torque plain bearings are designed for a long durability

Sealed valve shaft for draw-through as well as blow-through configurations

Shaft and throttle plate made of stainless steel material

Standard flange sizes for easy adaptation. Sizes are also corresponding to HEINZMANN gas mixer

Throttle valve lever can be mounted on both sides for required sense of rotation

Mechanical endstop for fully opened position

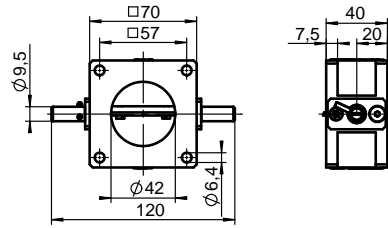
Applicable for a wide range of gasses (e.g. natural gas, landfill gas, bio gas, propane)

For corrosive gases the components are also available in anti-corrosive versions

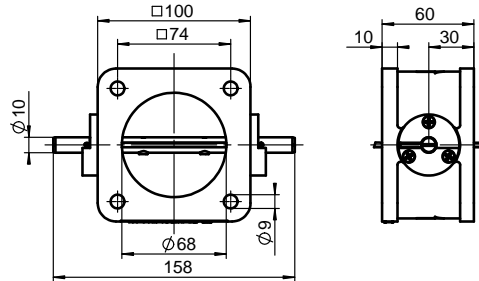
All throttle valve components are maintenance-free

## Dimensions

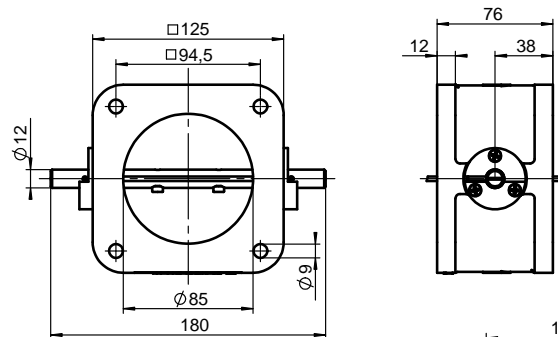
### Size 50



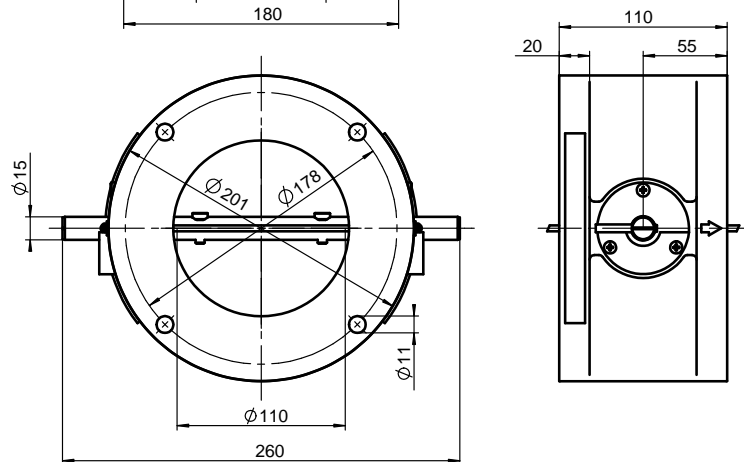
### Size 100



### Size 140



### Size 200



Dimensions for sizes 300  
and 400 on request

## Certificates

ATEX  II 2 G c II

For further information please see the relevant manual:

AFR 05 001-e 10-08 KRONOS 10.pdf

Subject to alterations. ©HEINZMANN GmbH & Co. KG, 2013



**Heinzmann GmbH & Co. KG**  
Am Haselbach 1  
D-79677 Schönau/Germany

Phone: +49 7673 8208 - 0  
Fax: +49 7673 8208 188  
Email: info@heinzmann.de